

Cable Reeling Drums

Medium duty spring operated cable reeling drums

SIMBAL medium duty spring operated cable reeling drums are the ideal solution for a wide range of standard applications. These drums come as an integral unit with pre-fitted cable and a swiveling wall mounting bracket. They are available with cable sections up to 16 core x 1.5mm² and with various payout lengths, for exact specifications please see data on the facing page.

Features:

- Shock resistant plastic external case (Die cast aluminium on series 6000 drums)
- Cable roller guide
- Ratchet stop every 50mm (easily disconnected if not required)
- Double earth contact
- Collector insulating power - 2.5Kv
- Brass sliprings & brushes
- IP42 Protection (IP65 available on some models)
- Working temperature -5 / +40 deg C
- Available with both PVC & Rubber cable



Possible applications

Typical fields of application for our medium duty reels include power feed to monorail hoists, vertical feed from hoist down to grabs & lifting frames, garage applications, feed cables to ancillary equipment on stacker trucks & mobile cranes plus many more applications across a wide range of industries.

A range of earthing reels is also available with cable section up to 16mm²

Optional extras

Standard options which can be fitted to SIMBAL medium duty spring operated cable drums include rubber cables, IP65 protection seals & fixing bolts to restrict the swivel action of fixing bracket. A range of cable roller guides is also available to compliment the full range of drums.

Technical Data

Please see the following sheets for technical and dimensional data

Cable Reeling Drums

Medium duty spring operated cable reeling drums

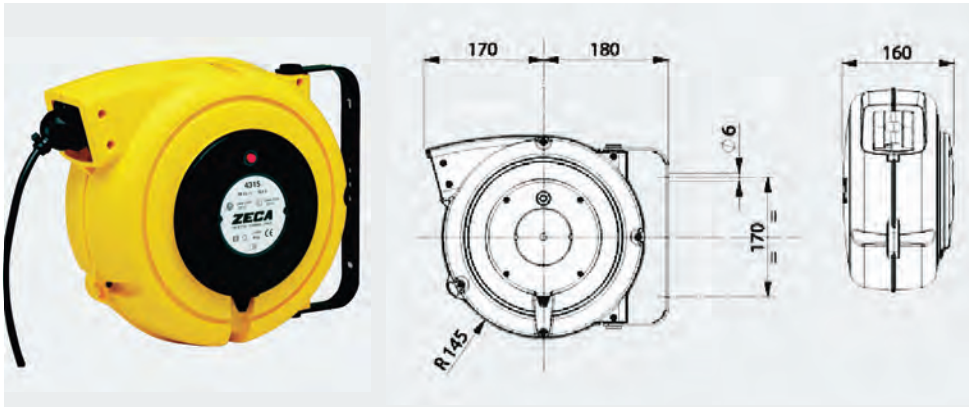
Technical Data												
	Cable size		Cable payout	Cable diameter	V	Max power @ 20 deg C			Slip rings	Max voltage	Cable type	Case colour
Single core cable (Earth reels)												
5836/XF	5897/XL	1c x 2.5mm ²	15 + 1.5m	5.5mm		Green / Yellow cable			10A		H05VV-F	Yellow
5834/XF	5896/XL	1c x 6mm ²	12.5 + 1.5m	5.5mm		without thermal			10A		H05VV-F	Yellow
5832/XF	5894/XL	1c x 16mm ²	8.5 + 1.5m	8mm		protection suitable			10A		H05VV-F	Yellow
6198/PRC	6340/PRL	1c x 2.5mm ²	28 + 2m	5.5mm		for earthing			10A		H05VV-F	Silver
6195/PRC	6386/PRL	1c x 6mm ²	24 + 2m	5.5mm					20A		H05VV-F	Silver
6193/PRC	6384/PRL	1c x 16mm ²	15 + 2m	8mm					20A		H05VV-F	Silver
2 core cable												
5831/XF	5893/XL	2c x 1.0mm ²	14 + 1.5m	6.5mm	230V	900W	230V	1400W	10A	500V	H05VVF	Yellow
5830/XF	5892/XL	2c x 1.5mm ²	11 + 1.5m	7.5mm	230V	1100W	230V	1600W	10A	500V	H05VV-F	Yellow
5829/XF	5891/XL	2c x 2.5mm ²	8.5 + 1.5m	9.5mm	230V	1750W	230V	2300W	10A	500V	H05VV-F	Yellow
5833/XF	5895/XL	2c x 2.5mm ²	8.5 + 1.5m	9.5mm	230V	1750W	230V	2300W	20A	500V	H05VV-F	Yellow
6191/PRC	6382/PRL	2c x 1.5mm ²	24 + 2m	7.5mm	230V	1100W	230V	1800W	10A	500V	H05VV-F	Silver
6190/PRC	6381/PRL	2c x 2.5mm ²	21 + 2m	9.5mm	230V	1800W	230V	2500W	20A	500V	H05VV-F	Silver
3 core cable												
5828/XF	5890/XL	3c x 1.0mm ²	14 + 1.5m	7mm	230V	900W	230V	1400W	10A	500V	H05VV-F	Yellow
5827/XF	5889/XL	3c x 1.5mm ²	11 + 1.5m	8.5mm	230V	1200W	230V	1800W	10A	500V	H05VV-F	Yellow
4315		3c x 1.5mm ²	14 + 1m	7.5mm	230V	1200W	230V	1800W	10A	500V	H05VV-F	Yellow
7315		3c x 1.5mm ²	25 + 2m	7.5mm	230V	1100W	230V	1800W	10A	500V	H05VV-F	Grey
5825/XF	5888/XL	3c x 2.5mm ²	8.5 + 1.5m	10mm	230V	1850W	230V	2500W	10A	500V	H05VV-F	Yellow
5826/XF	5880/XL	3c x 2.5mm ²	8.5 + 1.5m	10mm	230V	1850W	230V	2500W	20A	500V	H05VV-F	Yellow
4325		3c x 2.5mm ²	9 + 1m	10mm	230V	1900W	230V	2500W	10A	500V	H05VV-F	Yellow
6187/PRC	6378/PRL	3c x 1.0mm ²	24 + 2m	7mm	230V	1000W	230V	1700W	10A	500V	H05VV-F	Silver
6186/PRC	6377/PRL	3c x 1.5mm ²	24 + 2m	8.5mm	230V	1100W	230V	1800W	10A	500V	H05VV-F	Silver
6185/PRC	6376/PRL	3c x 2.5mm ²	15 + 2m	10mm	230V	2000W	230V	3000W	20A	500V	H05VV-F	Silver
4 core cable												
5824/XF	5878/XL	4c x 1.0mm ²	10.5 + 1.5m	8mm	400V	1100W	400V	1600W	10A	500V	H05VV-F	Yellow
4415		4c x 1.5mm ²	10 + 1m	8mm	400V	1400W	400V	1900W	10A	500V	H05VV-F	Yellow
5823/XF	5877/XL	4c x 1.5mm ²	8 + 1.5m	9.5mm	400V	1350W	400V	1900W	10A	500V	H05VV-F	Yellow
7415		4c x 1.5mm ²	25 + 2m	9.5mm	400V	1100W	400V	1800W	10A	500V	H05VV-F	Yellow
5821/XF	5876/XL	4c x 2.5mm ²	5.5 + 1.5m	11mm	400V	2000W	400V	2700W	10A	500V	H05VV-F	Yellow
5822/XF	5899/XL	4c x 2.5mm ²	5.5 + 1.5m	11mm	400V	2000W	400V	2700W	20A	500V	H05VV-F	Yellow
4425		4c x 2.5mm ²	8 + 1m	11mm	400V	2000W	400V	2700W	10A	500V	H05VV-F	Yellow
7425		4c x 2.5mm ²	18 + 2m	11mm	400V	2000W	400V	3000W	10A	500V	H05VV-F	Grey
6182/PRC	6373/PRL	4c x 1.0mm ²	24 + 2m	8mm	400V	800W	400V	1400W	10A	500V	H05VV-F	Silver
6181/PRC	6372/PRL	4c x 1.5mm ²	21 + 2m	9.5mm	400V	1100W	400V	1800W	10A	500V	H05VV-F	Silver
6521/PRC	6525/PRL	4c x 2.5mm ²	15 + 2m	11mm	400V	2000W	400V	3000W	20A	500V	H05VV-F	Silver
6458/PRC	6396/PRL	4c x 4mm ²	8 + 2m	14mm	400V	3000W	400V	4000W	20A	500V	H05VV-F	Silver
5 core cable												
5844/XF	5875/XL	5c x 1.0mm ²	7.5 + 1.5m	9mm	400V	1000W	400V	1500W	10A	500V	H05VV-F	Yellow
5843/XF	5874/XL	5c x 1.5mm ²	5.5 + 1.5m	11mm	400V	1350W	400V	1900W	10A	500V	H05VV-F	Yellow
4515		5c x 1.5mm ²	8 + 1m	9.5mm	400V	1400W	400V	1900W	10A	500V	H05VV-F	Yellow
7515		5c x 1.5mm ²	20 + 2m	9.5mm	400V	1500W	400V	2200W	10A	500V	H05VV-F	Grey
7525		5c x 2.5mm ²	15 + 2m	13mm	400V	2000W	400V	3000W	10A	500V	H05VV-F	Grey
6063/PRC	6136/PRL	5c x 1.0mm ²	16 + 2m	9mm	400V	800W	400V	1400W	10A	500V	H05VV-F	Silver
6067/PRC	6140/PRL	5c x 1.5mm ²	15 + 2m	11mm	400V	1500W	400V	2200W	10A	500V	H05VV-F	Silver
6022/PRC	6154/PRL	5c x 2.5mm ²	10 + 2m	13mm	400V	2000W	400V	3000W	10A	500V	H05VV-F	Silver
6068/PRC	6156/PRL	5c x 2.5mm ²	10 + 2m	13mm	400V	2000W	400V	3000W	20A	500V	H05VV-F	Silver
7 core cable												
5840/XF	5870/XL	7c x 1.0mm ²	6 + 1.5m	10mm		3 Amp			10A	500V	H05VV-F	Yellow
5839/XF	5869/XL	7c x 1.5mm ²	5.5 + 1.5m	12mm		4.5 Amp			10A	500V	H05VV-F	Yellow
6065/PRC	6138/PRL	7c x 1.0mm ²	16 + 2m	10mm		3 Amp			10A	500V	H05VV-F	Silver
6069/PRC	6142/PRL	7c x 1.5mm ²	9 + 2m	12mm		4.5 Amp			10A	500V	H05VV-F	Silver
10 core cable												
6095/PRC	6144/PRL	10c x 1.0mm ²	8 + 2m	13mm		3 Amp			10A	500V	H05VV-F	Silver
6619/PRC	6146/PRL	10c x 1.5mm ²	6 + 2m	15mm		4.5 Amp			10A	500V	H05VV-F	Silver
12 core cable												
6591/PRC	6614/PRL	12c x 1.0mm ²	10 + 2m	14mm		3 Amp			10A	500V	H05VV-F	Silver
6593/PRC	6616/PRL	12c x 1.5mm ²	6 + 2m	16mm		4.5 Amp			10A	500V	H05VV-F	Silver
16 core cable												
6096/PRC	6145/PRL	16c x 1.0mm ²	6 + 2m	15mm		3 Amp			10A	500V	H05VV-F	Silver
6595/PRC	6618/PRL	16c x 1.5mm ²	4 + 2m	18mm		4.5 Amp			10A	500V	H05VV-F	Silver






Cable Reeling Drums

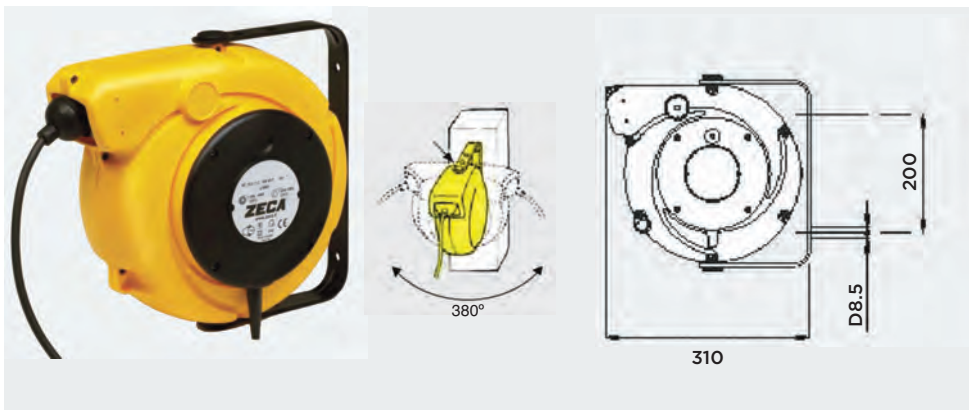
Medium duty spring operated cable reeling drums



Series 4000



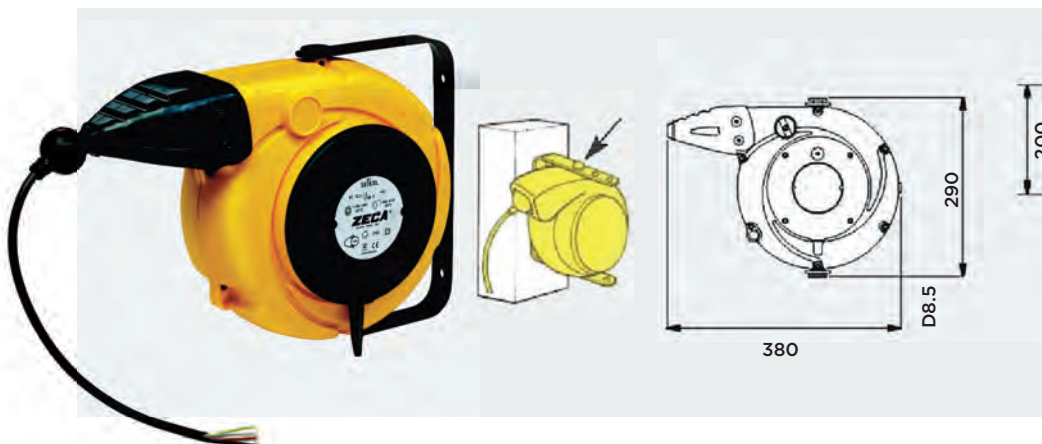
Manufactured according to standard: Construit selon norme: EN 61242 EN 60335-1	
	
These products comply with Directives: Produits conformes aux Directives: 2006/95/CE 2006/42/CE 2002/95/CE	
	44
	mm335x310 x185 Kg 5



Series 5000/XF



	60
	mm300x 295x155 Kg 3.5

Series 5000/XL



	60
	mm410x305 x185 Kg 4.0


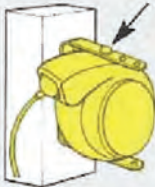
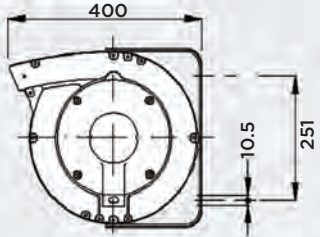
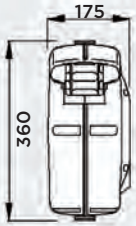
We reserve the right to amend all technical details without prior notification







Cable Reeling Drums



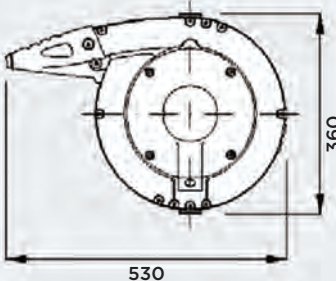
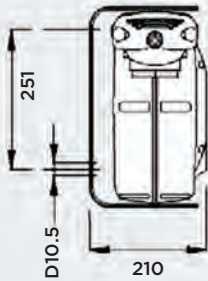
Medium duty spring operated cable reeling drums

Series 6000/PRC

1-10 CONDUCTORS		12-16 CONDUCTORS	
	30		24
	mm 400x370 x190 Kg 13		mm 400x390 x290 Kg 13

Series 6000/PRL

380°

530


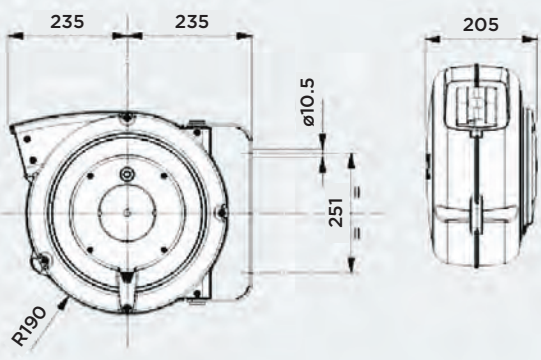
360

251

D10.5

210

Series 7000

235

235



205

ø10.5



251

R190

Manufactured according to standard:
Construit selon norme:
EN 61242 EN 60335-1

These products comply with Directives:
Produits conformes aux Directives:
2006/95/CE 2006/42/CE 2002/95/CE

	20
	mm 430x400 x210 Kg 8.0-10.0

Specification

Working temperature - 5 deg C / +40 deg C

Series 5000 & 7000 Cable Reels have an external case manufactured from shock resistant plastic and are suitable for applications both with cable manually controlled and fitted on machines with automatic cable retraction. This range of drums features a ratchet stop every 50cm which can be easily disconnected if constant traction of cable is required. All springs have brass rings and bushes.

Series 6000 Cable Reels are similar to the above but have an external case manufactured from die cast aluminum.

Standard Options include:

- 5100- Rubber cable sleeve (conversion from XF to XL)
- 6100- Rubber cable sleeve (conversion from PRC to PRL)
- Please enquire for specials such as rubber cable & IP55 Protection

Also available is a range of roller guides.