

# Hose Reeling Drums

## SIMBAL Hose Reeling Drums Series 806 / 8800

SIMBAL series 806 hose reels provide a cost effective solution for a wide range of applications where longer hose payout lengths are required. The reels feature a shock resistant plastic external case with wall fixing pivot bracket and are fitted with a ratchet stop device every 500mm, this device can be easily disconnected if constant cable traction is required.



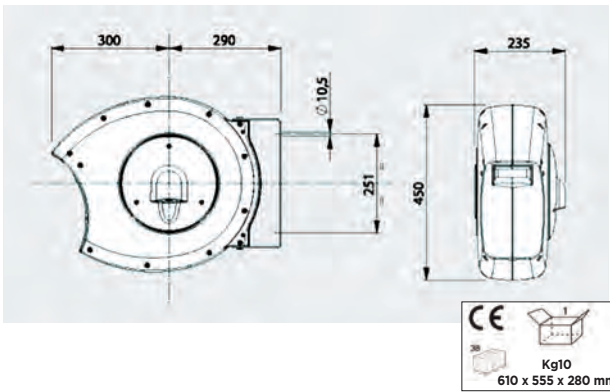
Series 8800 Hose reels feature a die cast aluminium case making them ideal for more arduous applications, this series is also available for high pressure (200 bar) applications.

The reels also include additional features as follows:

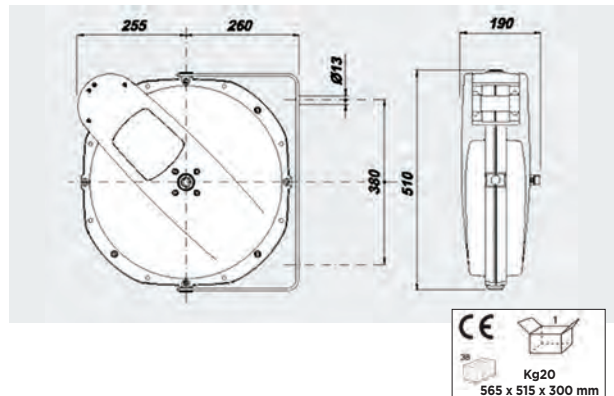
- Polyurethane hose
- Working temperature: -5 / +40 deg C



### Dimensions - Series 806



### Dimensions - Series 8800



### Technical Data

Drum Ref	Hose dia	Hose payout	Max. pressure	End pipe fitting	Incoming fitting	Incoming hose	Suitable for for AIR	Suitable for COLD WATER	Suitable for HIGH PRESSURE WATER	Suitable for OIL
<b>806/10</b>	10mm	25m (24+1)	15bar (1.5Mpa)	3/8" M	10mm	Not included	Yes	Yes	No	No
<b>806/13</b>	12.5mm	16m (15+1)	15bar (1.5Mpa)	1/2" M	12.5mm	Not included	Yes	Yes	No	No
<b>8803</b>	10mm	21m (20+1)	20bar (2.0Mpa)	3/8" M	1/2" M	Not included	Yes	Yes	No	No
<b>8804</b>	12.5mm	16m (15+1)	20bar (2.0Mpa)	1/2" M	1/2" M	Not included	Yes	Yes	No	No
<b>8830</b>	10mm	15m (14+1)	200bar (20Mpa)	3/8" F	1/2" M	Not included	Yes	Yes	Yes	Yes

We reserve the right to amend all technical details without prior notification

